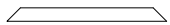


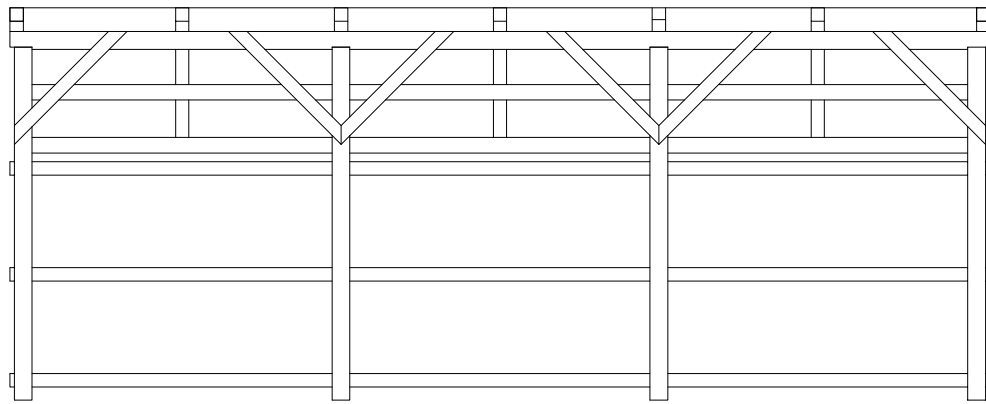
THIS FILE DOES NOT INCLUDE THE TYPICAL SMP PLAN SET, CARDSTOCK PATTERNS, OR CONSTRUCTION GUIDES. THESE TEMPLATES MUST BE USED IN CONJUNCTION WITH THE FREE TUTORIAL, "HOW TO MAKE INEXPENSIVE METAL SIDING", AT: [WWW.SCALEMODELPLANS.COM](http://WWW.SCALEMODELPLANS.COM) - LINKS & TIPS.



DIAGONAL BRACE TEMPLATE  
(18 REQ'D)

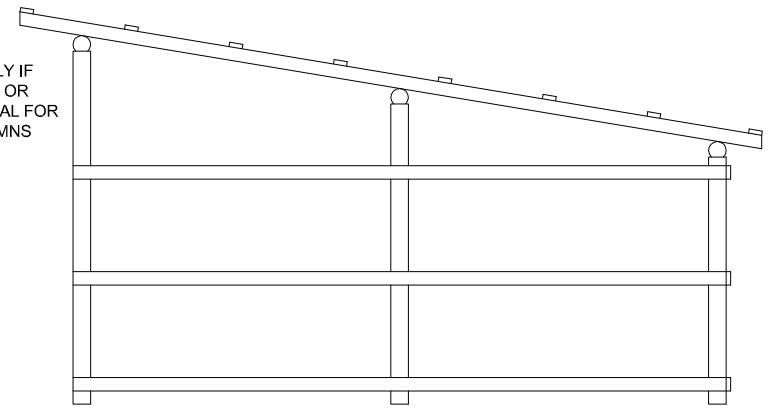
Software Licence Agreement:  
This project is provided free of charge by [www.ScaleModelPlans.com](http://www.ScaleModelPlans.com) for Personal, non-profit group, and Model Railroader Club use. Please contact [www.ScaleModelPlans.com](http://www.ScaleModelPlans.com) for information concerning commercial application.

DR. BY: T. CARSON MAY 2011	<b>EQUIPMENT SHED</b>	SCALE: H.O.
(C) COPYRIGHT 2011 T. CARSON	<a href="http://WWW.SCALEMODELPLANS.COM">WWW.SCALEMODELPLANS.COM</a>	CADD SHEET 1 OF 3



FRONT VIEW (SHOWING BEAMS & RAFTERS)

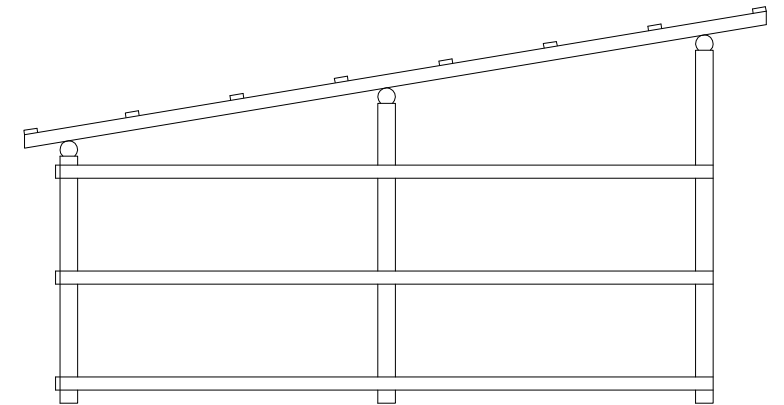
NOTCH SLIGHTLY IF USING DOWELS OR ROUND MATERIAL FOR BEAMS & COLUMNS



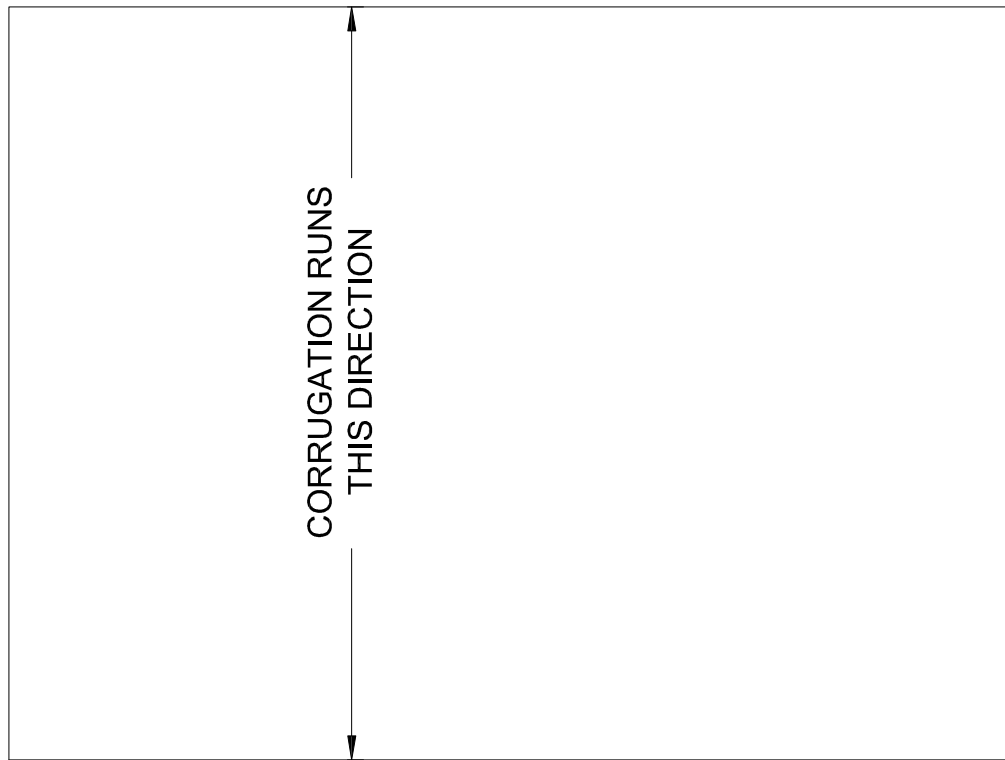
SIDE VIEW (SHOWING RAFTERS & STRAPPING)



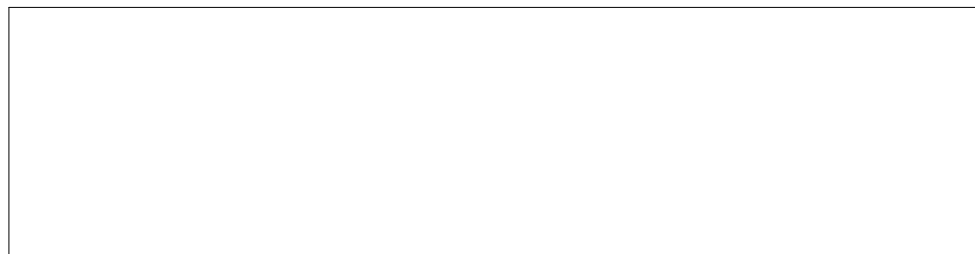
PLACEMENT OF VERTICAL POLES/COLUMNS



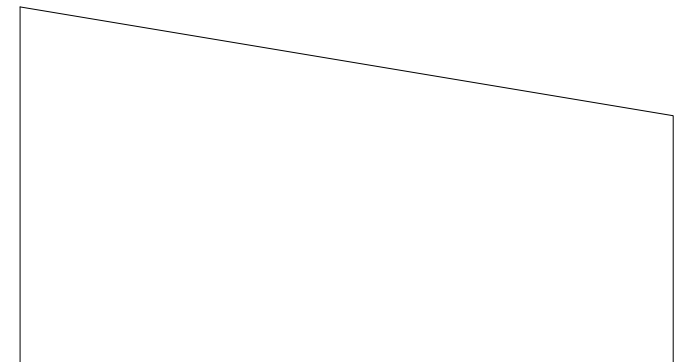
Software Licence Agreement:  
 This project is provided free of charge by [www.ScaleModelPlans.com](http://www.ScaleModelPlans.com) for Personal, non-profit group, and Model Railroader Club use. Please contact [www.ScaleModelPlans.com](http://www.ScaleModelPlans.com) for information concerning commercial application.



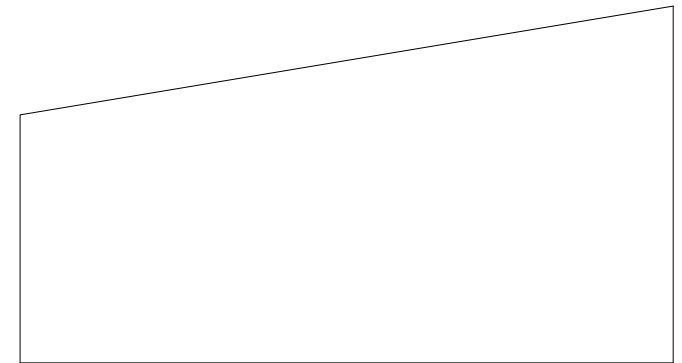
ROOF (WITH OVERHANG)



REAR



RIGHT SIDE



LEFT SIDE

CLADDING PATTERNS:  
 IF CORRUGATING AS SHOWN IN TUTORIAL,  
 LEAVE MATERIAL OVERSIZE, USE CRIMPING  
 TOOL FIRST, THEN TRIM TO SIZE AND SHAPE.

Software Licence Agreement:  
 This project is provided free of charge by [www.ScaleModelPlans.com](http://www.ScaleModelPlans.com)  
 for Personal, non-profit group, and Model Railroader Club use. Please  
 contact [www.ScaleModelPlans.com](http://www.ScaleModelPlans.com) for information concerning  
 commercial application.