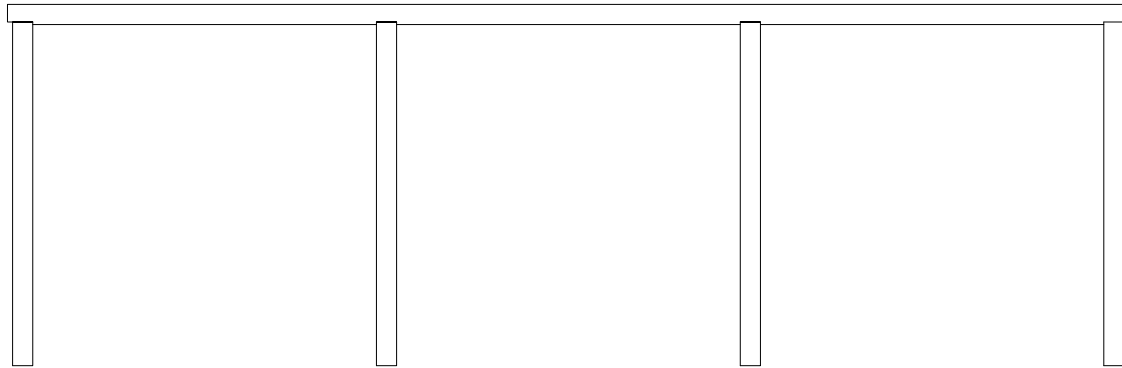
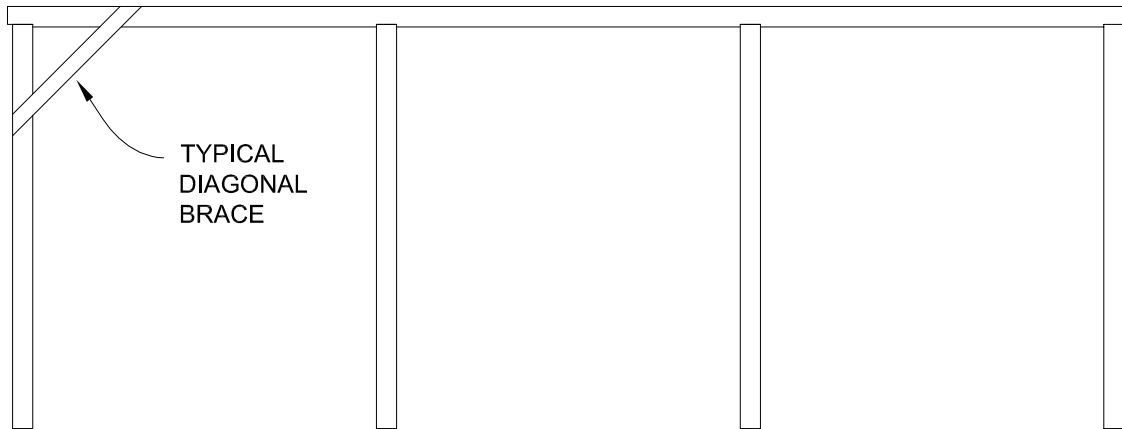


REAR WALL SHOWING COLUMN, STRAPPING, & BEAM PLACEMENT



MIDDLE WALL SHOWING COLUMN & BEAM PLACEMENT



FRONT WALL SHOWING COLUMN & BEAM PLACEMENT

TYPICAL
DIAGONAL
BRACE

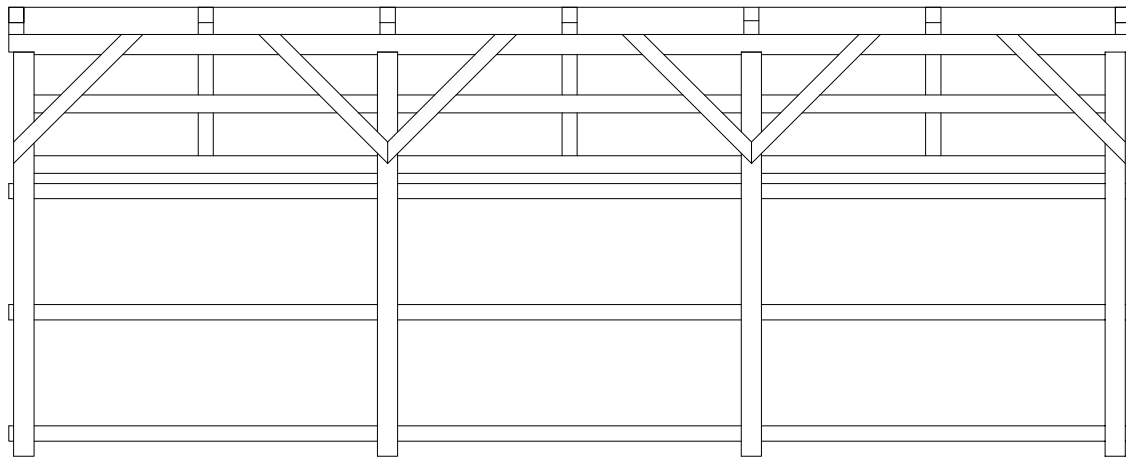


THIS FILE DOES NOT INCLUDE THE TYPICAL SMP PLAN SET, CARDSTOCK PATTERNS, OR CONSTRUCTION GUIDES. THESE TEMPLATES MUST BE USED IN CONJUNCTION WITH THE FREE TUTORIAL, "HOW TO MAKE INEXPENSIVE METAL SIDING", AT: WWW.SCALEMODELPLANS.COM - LINKS & TIPS.

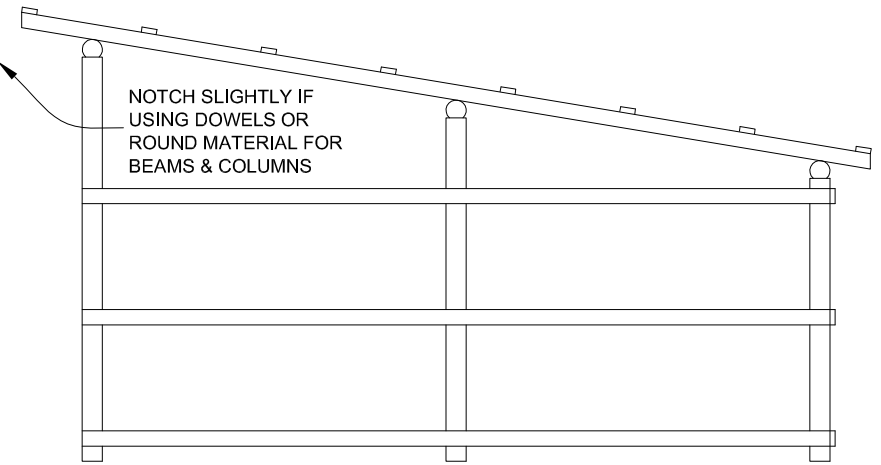


DIAGONAL BRACE
TEMPLATE
(18 REQ'D)

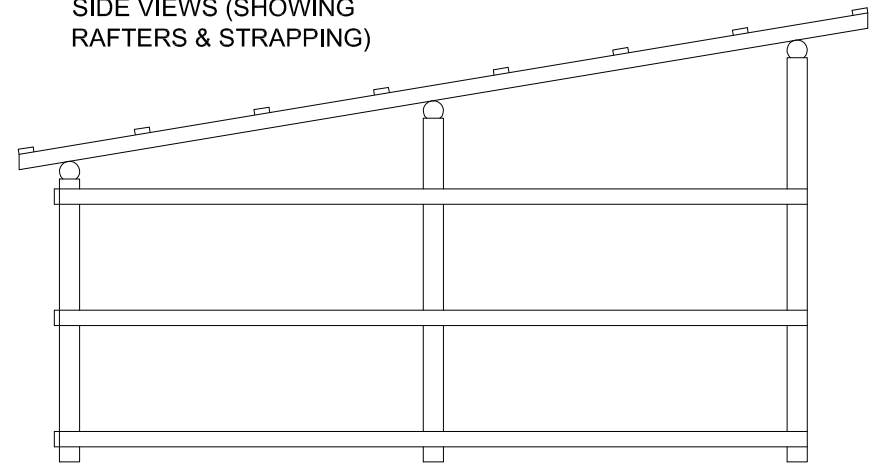
Software Licence Agreement:
This project is provided free of charge by www.ScaleModelPlans.com for Personal, non-profit group, and Model Railroader Club use. Please contact www.ScaleModelPlans.com for information concerning commercial application.



FRONT VIEW (SHOWING BEAMS & RAFTERS)



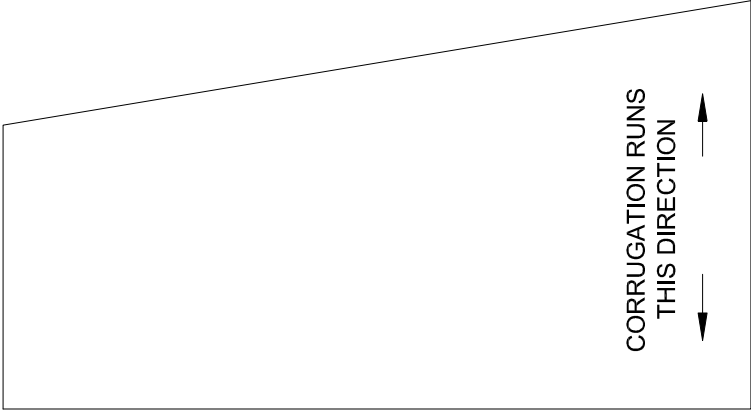
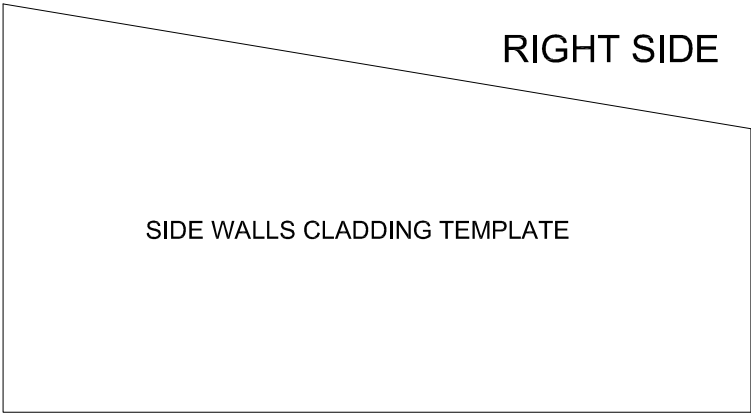
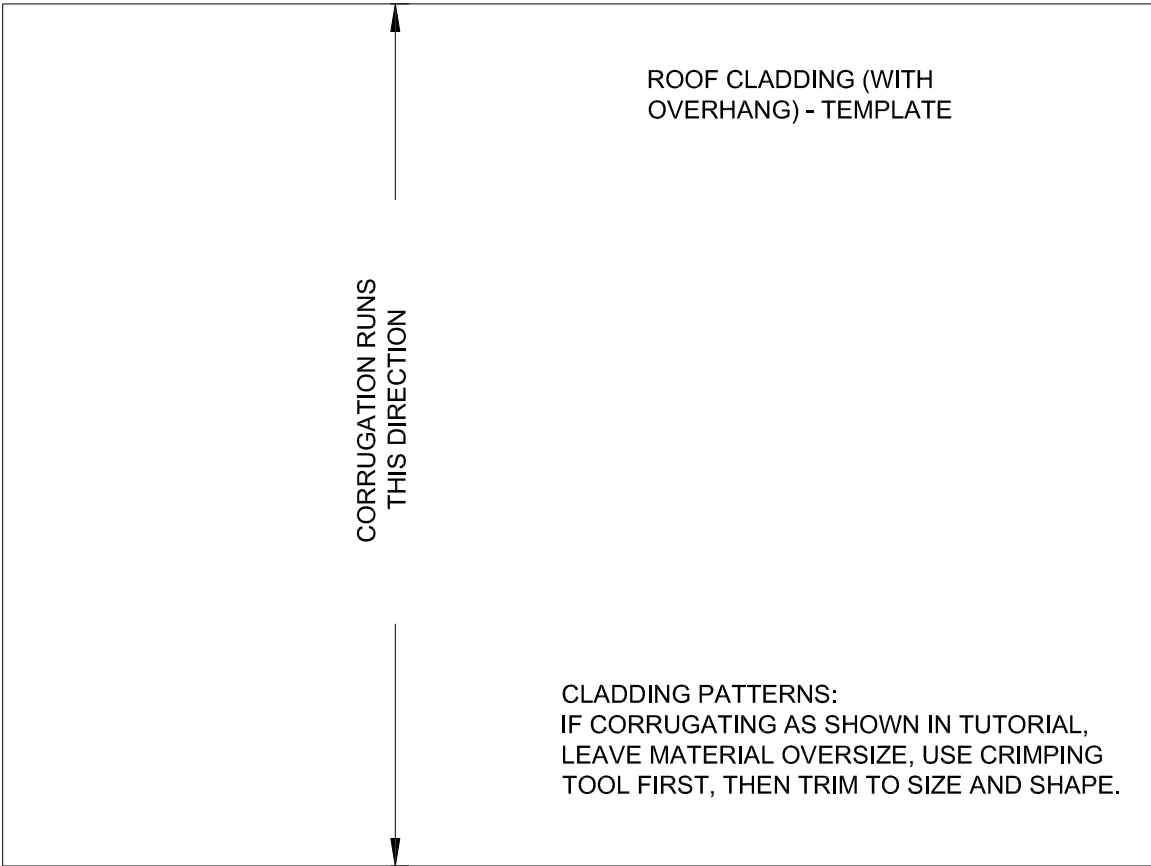
SIDE VIEWS (SHOWING RAFTERS & STRAPPING)



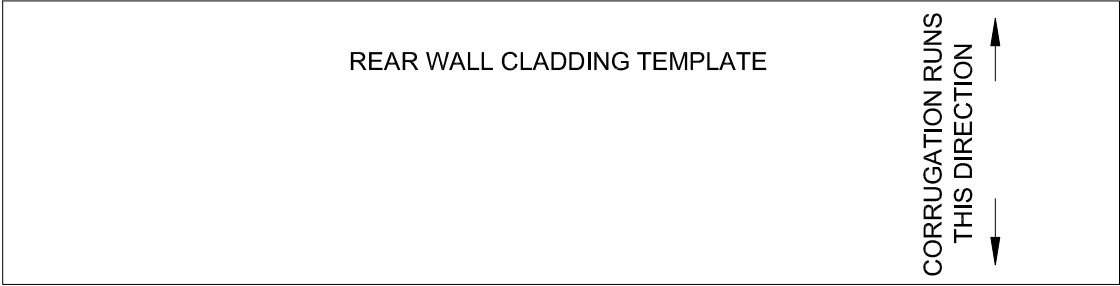
PLACEMENT OF VERTICAL POLES/COLUMNS



Software Licence Agreement:
 This project is provided free of charge by www.ScaleModelPlans.com for Personal, non-profit group, and Model Railroader Club use. Please contact www.ScaleModelPlans.com for information concerning commercial application.



LEFT SIDE



Software Licence Agreement:
This project is provided free of charge by www.ScaleModelPlans.com for Personal, non-profit group, and Model Railroader Club use. Please contact www.ScaleModelPlans.com for information concerning commercial application.